



*360°



max Kg
250 Kg



L
17 m



H
31 m



HE+HE

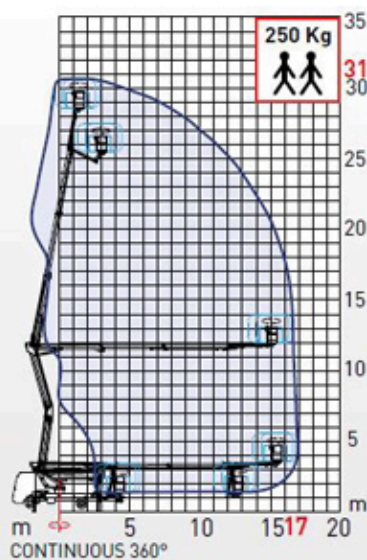
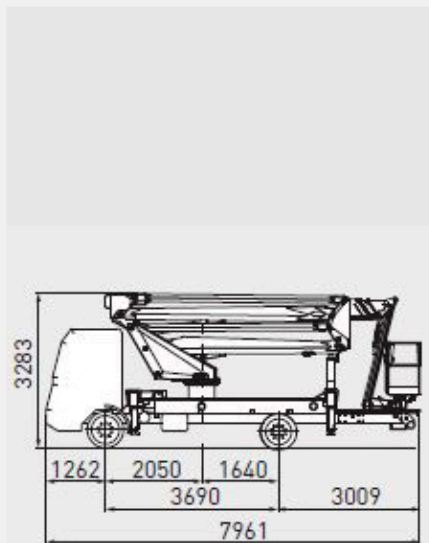


90°+90°

DESCRIPTION

- **Aerial platform** made of high strength steel for **boom maximum rigidity and maximum safety while working.**
- **Double pantograph** to obtain an **override height of 12 m**
- **Telescopic boom**
- **Articulated terminal boom "JIB"** to reach even the most uncomfortable positions over roofs and balconies
- **100% hydraulic controls**
- **Controls with proportional system in low pressure (25 BAR only) in the basket** to allow gradual and accurate movements, and long-lasting system with maintenance costs reduced at minimum.
- **No need of any device to limit lateral outreach (100% SAFE)**
- Electric power tap 230 V in basket
- Aluminum basket. Also **available the fiberglass basket** insulated against accidental contacts with electrical power lines

PRODUCT SHEET



TECHNICAL FEATURES AND PERFORMANCES

- Max Working height 31 m
- Max Lateral outreach 17 m
- Basket floor 29 m
- Capacity 250 Kg - 2 operators
- Standard aluminum basket 1400x700x1100 mm
- Hydraulic basket rotation 90°+90°
- Stabilization: n° 4 hydraulic outriggers HE+HE
- Rotation: 360° continuous
- 100% hydraulic controls in low pressure
- Minimum GVW: 7.5 ton